

## U11 SERIES ULTRA HIGH PURITY REGULATOR

U11 Series single-stage regulator are hand adjustable, pressure reducing regulators. Our metal-to-metal diaphragm to body seal is designed to minimize leakage and to provide excellent accuracy and longevity.



» U11SLBK-DHP-92-92-E1



» U11SLAK-DHW-91-91-E1

### Features

- 316L or 316L VAR stainless steel body
- Metal to metal diaphragm to body seal
- The integrated structure of the diaphragm and valve makes output pressure more stable.
- Easy front panel and rear bracket mounting
- Standard Gauge Port: 1/4" FSR(M)  
Optional: 1/4" FSR(F)
- Fully internal electropolished

### Materials

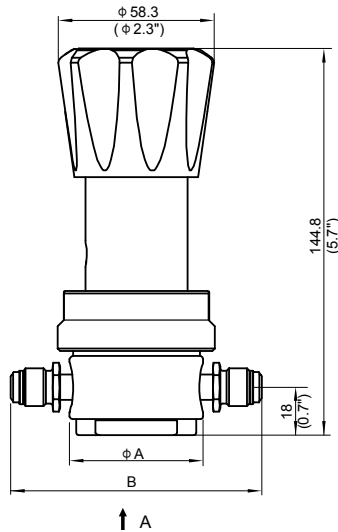
- Body: 316L, 316L VAR
- Seat: PCTFE\*, Vespel®
- Diaphragm: HC22

### Specifications

- Max. Inlet Pressure: 500, 3000, 4500 psi
- Max. Outlet Pressure: 0-25 (1.7 bar), 0-50 (3 bar), 0-75 (5.2 bar), 1-100 (7 bar), 0-150 (10 bar), 0-250 (17 bar), 0-500 psi (34 bar)
- Temperature: -40 °F~165 °F(-40°C~74°C)
- Cv: 0.09
- Inboard Leakage:  $1 \times 10^{-9}$  atm cc/sec He
- Across Seat Leakage:  $4 \times 10^{-8}$  atm cc/sec He
- Proof Pressure: 150% of maximum rated pressure
- Burst Pressure: 400% of maximum rated pressure
- Surface Finish: Standard 15  
Optional 7  $\mu$ m
- Internal Volume: 8.4 cc

\*: Standard material

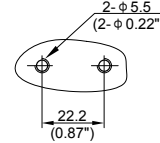
Dimensions



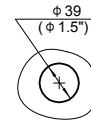
Connection Type	Dimension in.(mm)	
	A	B
91 1/4" swivel female FSR	2" (50.8)	3.7" (94)
92 1/4" swivel male FSR		3.7" (94)
95 1/2" swivel female FSR		4.7" (119.4)
96 1/2" swivel male FSE		4.7" (119.4)
41 1/4" weld stub		2.96" (75.2)
42 3/8" weld stub		2.96" (75.2)



A



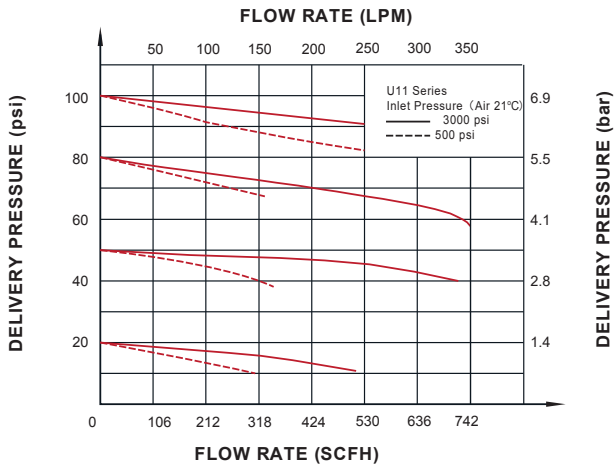
Standard Material



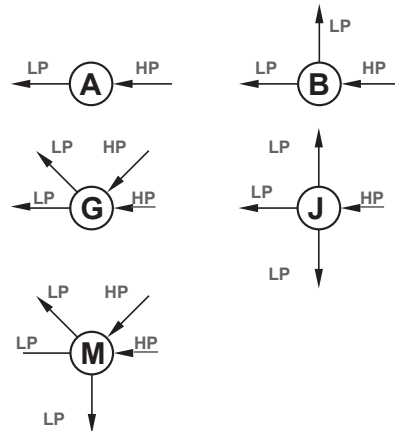
Front panel mounting  
(Maximum thickness is 0.28")

Dimension: mm (in)

Flow Data



Regular Port Configurations



Ordering Information

EX:	U11	SL	B	K	- D	H	P -	91 - 91	- E1
	Series	Body	Ports	Seat	Inlet Pressure	Outlet Pressure	Pressure Gauge	Inlet / Outlet Connection	Options
	U11	SL: 316L SLV:316L VAR	A B G J M	K: PCTFE V: Vespel®	D: 3000 psi C: 4500 psi F: 500 psi	F: 0 ~ 500 psi G: 0 ~ 250 psi H: 0 ~ 150 psi I: 0 ~ 100 psi J: 0 ~ 75 psi K: 0 ~ 50 psi L: 0 ~ 25 psi	W: Without Gauge P: psi / bar Gauge G: MPa Gauge*	91, 92, 95, 96, 41, 42 ..... For other connections please contact GENTEC	None: Ra 15 μin E1: Ra 7 μin P: Panel Mounting H: HC22 Nozzle and stem

\*: To order MPa gauges please contact GENTEC.